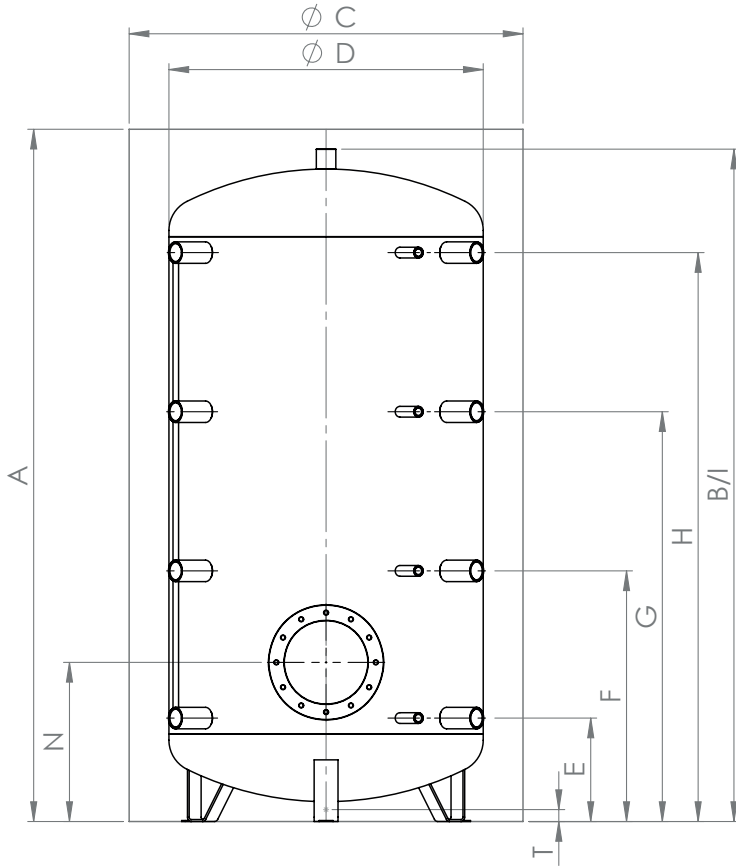
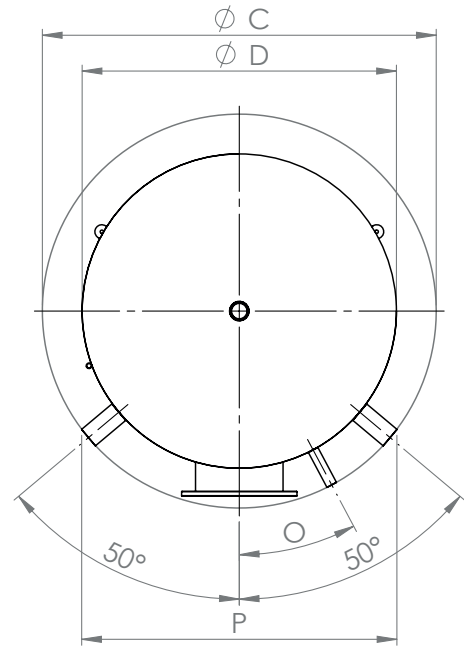




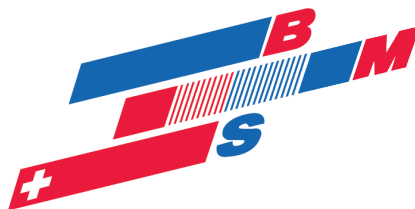
## Pufferspeicher mit Flansch 300 - 5000 Liter



300 – 5000



300 – 5000



## Pufferspeicher mit Flansch 300 - 5000 Liter

	Verwendung Usage Utilisation Uso	Dimension Dimension Dimension Dimensione	300	500	600	800	900	1000	1050	1250	1500	1600	1800	1950	2000	2500	3000	4000	5000	
	Inhalt Capacity   Contenance   Contenuto	l	279	480	560	718	870	887	996	1266	1500	1555	1830	2005	2021	2304	2852	3759	5003	
	Kippmass Tilted dimension   Cote de basculement   Altezza in raddrizzamento	mm	1385	1665	1690	1740	1800	2085	2020	2070	2195	1930	2170	2060	2420	2395	2780	2935	3035	
P	Einbringmass Delivery dimensions   Cote de mise en place   Ingombro	100 mm 130 mm 160 mm	610 660 710	690 740 780	740 780 820	800 840 890	850 890 930	800 840 890	850 890 930	950 970 1100	1000 1010 1050	1100 1100 1130	1100 1100 1130	1250 1250 1250	1100 1100 1130	1250 1250 1250	1250 1250 1250	1400 1400 1400	1600 1600 1600	
B	Höhe ohne Isolierung Height without insulation   Hauteur sans isolation   Altezza senza isolamento	mm	1350	1630	1650	1690	1770	2040	2000	2010	2150	1900	2152	2060	2370	2280	2720	2835	2870	
D	Ø ohne Isolierung without insulation   sans isolation   senza isolamento	mm	550	650	700	790	850	790	850	950	1000	1100	1100	1250	1100	1250	1250	1400	1600	
E*	Anschluss 1 Connection   Raccord   Collegamento	$\overline{\downarrow}$ - mm	220	220	230	260	310	310	310	310	380	320	320	495	320	535	380	505	400	
		G"	1 1/2"	1 1/2"	1 1/2"	1 1/2"	1 1/2"	1 1/2"	1 1/2"	1 1/2"	2"	2"	1 1/2"	2"	2"	2"	2"	2"	2"	2"
		$\overline{\downarrow}$ - G"	1/2"	1/2"	1/2"	1/2"	1/2"	1/2"	1/2"	1/2"	1/2"	1/2"	1/2"	1/2"	1/2"	1/2"	1/2"	1/2"	1/2"	1/2"
F*	Anschluss 2 Connection   Raccord   Collegamento	$\overline{\downarrow}$ - mm	470	620	610	630	700	745	745	745	825	740	820	875	900	975	1020	1110	1100	
		G"	1 1/2"	1 1/2"	1 1/2"	1 1/2"	1 1/2"	1 1/2"	1 1/2"	1 1/2"	2"	2"	1 1/2"	2"	2"	2"	2"	2"	2"	2"
		$\overline{\downarrow}$ - G"	1/2"	1/2"	1/2"	1/2"	1/2"	1/2"	1/2"	1/2"	1/2"	1/2"	1/2"	1/2"	1/2"	1/2"	1/2"	1/2"	1/2"	1/2"
G*	Anschluss 3 Connection   Raccord   Collegamento	$\overline{\downarrow}$ - mm	800	1010	990	1030	1080	1250	1250	1250	1350	1150	1320	1255	1490	1415	1680	1860	1810	
		G"	1 1/2"	1 1/2"	1 1/2"	1 1/2"	1 1/2"	1 1/2"	1 1/2"	1 1/2"	2"	2"	1 1/2"	2"	2"	2"	2"	2"	2"	2"
		$\overline{\downarrow}$ - G"	1/2"	1/2"	1/2"	1/2"	1/2"	1/2"	1/2"	1/2"	1/2"	1/2"	1/2"	1/2"	1/2"	1/2"	1/2"	1/2"	1/2"	1/2"
H*	Anschluss 4 Connection   Raccord   Collegamento	$\overline{\downarrow}$ - mm	1120	1390	1380	1430	1470	1710	1710	1710	1760	1570	1820	1635	2020	1855	2330	2410	2520	
		G"	1 1/2"	1 1/2"	1 1/2"	1 1/2"	1 1/2"	1 1/2"	1 1/2"	2"	2"	2"	1 1/2"	2"	2"	2"	2"	2"	2"	2"
		$\overline{\downarrow}$ - G"	1/2"	1/2"	1/2"	1/2"	1/2"	1/2"	1/2"	1/2"	1/2"	1/2"	1/2"	1/2"	1/2"	1/2"	1/2"	1/2"	1/2"	1/2"
I	Anschluss oben Connection above   Raccord du haut   Collegamento superiore	$\overline{\downarrow}$ - mm	1350	1630	1650	1690	1770	2040	2050	2010	2150	1900	2152	2010	2370	2280	2720	2835	2870	
		G"	1 1/4"	1 1/4"	1 1/4"	1 1/4"	3/4"	1 1/4"	1 1/4"	1 1/4"	1 1/4"	1 1/4"	3/4"	1 1/4"	1 1/4"	1 1/4"	1 1/4"	1 1/4"	1 1/4"	
N	Flansch Flange   Bride   Flangia	$\overline{\downarrow}$ - mm	300	340	330	390	400	390	400	375	415	425	425	685	425	755	600	585	640	
		Ø - mm	180/120		290/220															
T	Bodenmuffe Ground fitting   Manchon de fond   Manicotto a pavimento	$\overline{\downarrow}$ - mm	-	-	-	-	-	-	-	-	-	-	-	110	-	110	100	75	50	
		G"	-	-	-	-	-	-	-	-	-	-	-	-	1 1/4"	-	1 1/4"	1 1/4"	1 1/4"	1 1/4"
O	Anordnung Fühler Positioning sensor   Disposition sonde   Disposizione sensore	°	18.5	23.5	28.0	28.0	29.8	28.0	29.8	32.0	33.0	34.5	34.5	36.0	34.5	36.0	36.0	37.5	39.0	
	Gewicht Weight   Poids   Peso	kg	58	78	84	97	100	111	117	158	168	174	180	227	201	239	285	364	431	
	Max. Einbaulänge von Elektroheizungen Max. installation length of electric heaters   Longueur maximale d'installation des chauffages électriques   Lunghezza massima di installazione dei riscaldatori elettrici	mm	550	650	700	790	850	790	850	950	1000	1100	1100	1250	1100	1250	1250	1400	1600	

\*Einbaumöglichkeit: 1 x Elektroheizung zum Einschrauben  
Installation option: 1 x Screw-in Immersion heater | Option d'installation: 1 x Résistances à visser | Opzione di installazione: 1 x Resistenza elettrica da avvitare