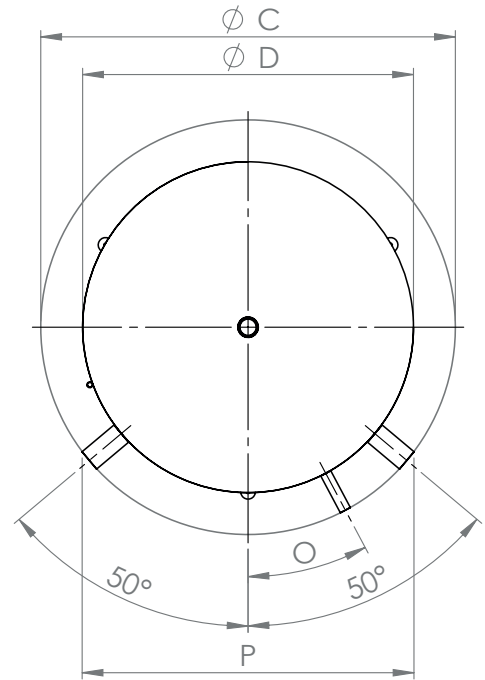
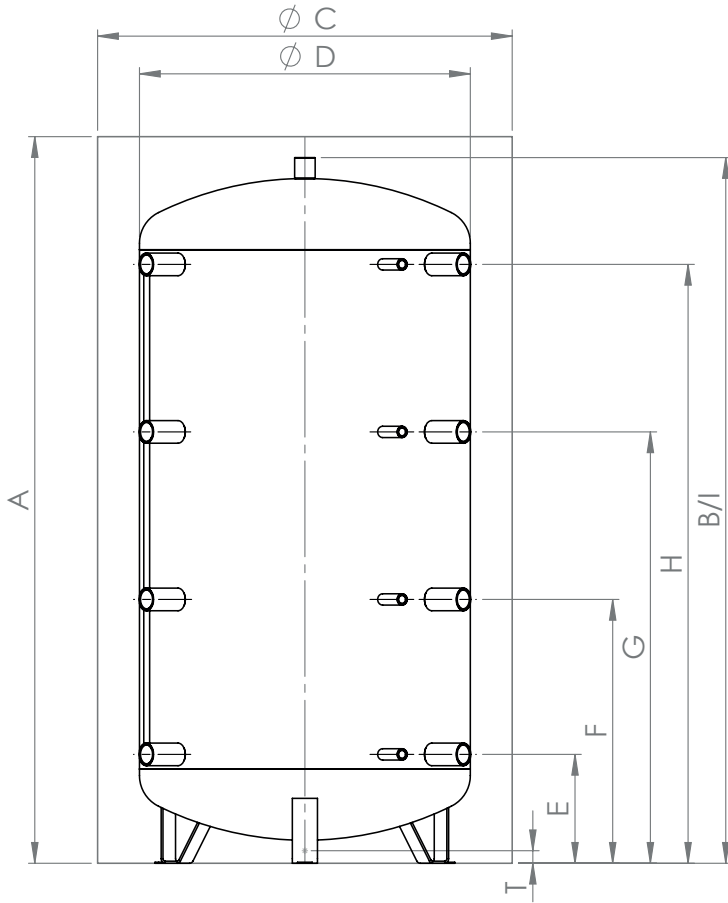
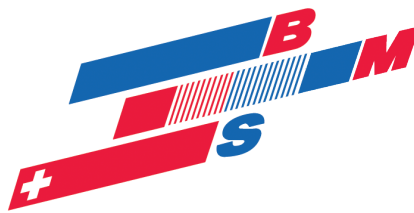


Pufferspeicher 300 - 5000 Liter





Pufferspeicher 300 - 5000 Liter

	Verwendung Usage Utilisation Uso	Dimension Dimension Dimension Dimensione	300	500	600	800	900	1000	1050	1250	1500	1600	1800	1950	2000	2500	3000	4000	5000
	Inhalt Capacity Contenance Contenuto	l	279	480	560	718	870	887	996	1266	1500	1555	1830	2005	2021	2304	2852	3759	5003
	Kippmass Tilted dimension Cote de basculement Altezza in raddrizzamento	mm	1385	1665	1690	1740	1800	2085	2020	2070	2195	1930	2170	2060	2420	2395	2780	2935	3035
P	Einbringmass Delivery dimensions Cote de mise en place Ingombro	100 mm	610	690	740	800	850	800	850	950	1000	1100	1100	1250	1100	1250	1250	1400	1600
		130 mm	660	740	780	840	890	840	890	970	1010	1100	1100	1250	1100	1250	1250	1400	1600
		160 mm	710	780	820	890	930	890	930	1100	1050	1130	1130	1250	1130	1250	1250	1400	1600
B	Höhe ohne Isolierung Height without insulation Hauteur sans isolation Altezza senza isolamento	mm	1350	1630	1650	1690	1770	2040	2000	2010	2150	1900	2152	2010	2370	2280	2720	2835	2870
D	Ø ohne Isolierung without insulation sans isolation senza isolamento	mm	550	650	700	790	850	790	850	950	1000	1100	1100	1250	1100	1250	1250	1400	1600
E*	Anschluss 1 Connection Raccord Collegamento	- mm	220	220	230	260	310	310	310	310	380	320	320	495	320	535	380	505	400
		G"	1 1/2"	1 1/2"	1 1/2"	1 1/2"	1 1/2"	1 1/2"	1 1/2"	1 1/2"	2"	2"	1 1/2"	2"	2"	2"	2"	2"	2"
		- G"	1/2"	1/2"	1/2"	1/2"	1/2"	1/2"	1/2"	1/2"	1/2"	1/2"	1/2"	1/2"	1/2"	1/2"	1/2"	1/2"	1/2"
F*	Anschluss 2 Connection Raccord Collegamento	- mm	470	620	610	630	700	745	745	745	825	740	820	875	900	975	1020	1110	1100
		G"	1 1/2"	1 1/2"	1 1/2"	1 1/2"	1 1/2"	1 1/2"	1 1/2"	1 1/2"	2"	2"	1 1/2"	2"	2"	2"	2"	2"	2"
		- G"	1/2"	1/2"	1/2"	1/2"	1/2"	1/2"	1/2"	1/2"	1/2"	1/2"	1/2"	1/2"	1/2"	1/2"	1/2"	1/2"	1/2"
G*	Anschluss 3 Connection Raccord Collegamento	- mm	800	1010	990	1030	1080	1250	1250	1250	1350	1150	1320	1255	1490	1415	1680	1860	1810
		G"	1 1/2"	1 1/2"	1 1/2"	1 1/2"	1 1/2"	1 1/2"	1 1/2"	1 1/2"	2"	2"	1 1/2"	2"	2"	2"	2"	2"	2"
		- G"	1/2"	1/2"	1/2"	1/2"	1/2"	1/2"	1/2"	1/2"	1/2"	1/2"	1/2"	1/2"	1/2"	1/2"	1/2"	1/2"	1/2"
H*	Anschluss 4 Connection Raccord Collegamento	- mm	1120	1390	1380	1430	1470	1710	1710	1710	1760	1570	1820	1635	2020	1855	2330	2410	2520
		G"	1 1/2"	1 1/2"	1 1/2"	1 1/2"	1 1/2"	1 1/2"	1 1/2"	1 1/2"	2"	2"	1 1/2"	2"	2"	2"	2"	2"	2"
		- G"	1/2"	1/2"	1/2"	1/2"	1/2"	1/2"	1/2"	1/2"	1/2"	1/2"	1/2"	1/2"	1/2"	1/2"	1/2"	1/2"	1/2"
I	Anschluss oben Connection above Raccord du haut Collegamento superiore	- mm	1350	1630	1650	1690	1770	2040	2050	2010	2150	1900	2152	2010	2370	2280	2720	2835	2870
		G"	1 1/4"	1 1/4"	1 1/4"	1 1/4"	3/4"	1 1/4"	1 1/4"	1 1/4"	1 1/4"	1 1/4"	3/4"	1 1/4"	1 1/4"	1 1/4"	1 1/4"	1 1/4"	
T	Bodenmuffe Ground fitting Manchon de fond Manicotto a pavimento	- mm	-	-	-	-	-	-	-	-	-	-	-	110	-	110	100	75	50
		G"	-	-	-	-	-	-	-	-	-	-	-	-	1 1/4"	-	1 1/4"	1 1/4"	1 1/4"
O	Anordnung Fühler Positioning sensor Disposition sonde Disposizione sensore	°	18.5	23.5	28.0	28.0	29.8	28.0	29.8	32.0	33.0	34.5	34.5	36.0	34.5	36.0	36.0	37.5	39.0
	Gewicht Weight Poids Peso	kg	55	74	80	92	100	106	112	155	165	170	180	223	198	236	282	361	428
	Max. Einbaulänge von Elektroheizungen Maximum installation length of electric heaters Longueur maximale d'installation des chauffages électriques Lunghezza massima di installazione dei riscaldatori elettrici	mm	550	650	700	790	850	790	850	950	1000	1100	1100	1250	1100	1250	1250	1400	1600

*Einbaumöglichkeit: 1 x Elektroheizung zum Einschrauben
Installation option: 1 x Screw-in Immersion heater | Option d'installation: 1 x Résistances à visser | Opzione di installazione: 1 x Resistenza elettrica da avvitare